

## Knobs

### Stainless Steel

#### SPECIFICATION

##### Types

- Type **A**: Without knurl
- Type **B**: With knurl

Stainless steel AISI 303  
Matte shot-blasted

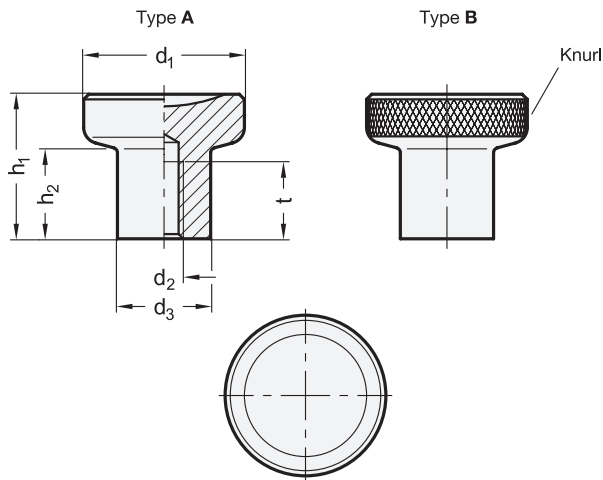
#### INFORMATION

Knobs GN 676.5 are used in applications where a push or pull movement is required. Their concave top gives a more comfortable thumb grip.

The version with knurl (type B) can be used as a knurled nut.

#### TECHNICAL INFORMATION

- Stainless Steel Characteristics (see page A26)



#### GN 676.5-A

STAINLESS STEEL

Description	d <sub>1</sub>	d <sub>2</sub>	d <sub>3</sub>	h <sub>1</sub>	h <sub>2</sub>	t min.	⚖
GN 676.5-21-M4-A	21	M 4	12.5	18	10.5	10	26
GN 676.5-21-M5-A	21	M 5	12.5	18	10.5	10	25
GN 676.5-25-M6-A	25	M 6	14.5	22.5	14	12	42
GN 676.5-25-M8-A	25	M 8	14.5	22.5	14	12	40
GN 676.5-31-M8-A	31	M 8	18.5	27	17	15	75
GN 676.5-31-M10-A	31	M 10	18.5	27	17	17	73

#### GN 676.5-B

STAINLESS STEEL

Description	d <sub>1</sub>	d <sub>2</sub>	d <sub>3</sub>	h <sub>1</sub>	h <sub>2</sub>	t min.	⚖
GN 676.5-21-M4-B	21	M 4	12.5	18	10.5	10	26
GN 676.5-21-M5-B	21	M 5	12.5	18	10.5	10	25
GN 676.5-25-M6-B	25	M 6	14.5	22.5	14	12	42
GN 676.5-25-M8-B	25	M 8	14.5	22.5	14	12	40
GN 676.5-31-M8-B	31	M 8	18.5	27	17	15	75
GN 676.5-31-M10-B	31	M 10	18.5	27	17	17	73